

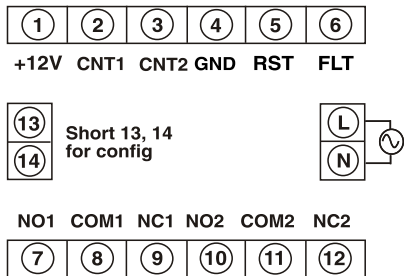


(72 x 72)

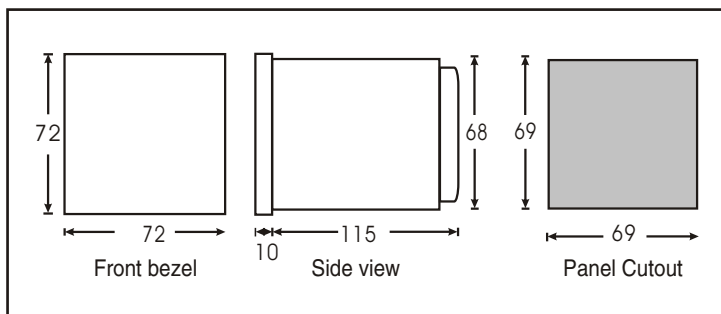
Ordering Information

XC200NX

Terminal Connections



Dimensions (in mm)



Technical Specifications

Display	Seven segment LED; Height: 0.3"
Digits	Total: 6 digits Rate: 5 digits
Sensor Type	NPN
Input Type	Voltage pulse (3 to 30 VDC) from proximity switches, encoders, solid state devices, potential free contact
Input Speed	a) 0 to 30 Hz b) 0 to 2.5 kHz c) 0 to 5 kHz (for up & down mode only)
Operating Modes	ON delay / Interval delay / Auto reset / Time pulse repeat
Setpoints	2
Range	Count: Selectable least count 0.0001, 0.001, 0.01, 0.1 & 1 Rate: Auto ranging 4.00 to 99999 RPM or RPH mode
Counting Direction	Up, Down, Bidirectional, Quadrature
Scale Factor	0.00001 to 9.99999 x 10 ⁿ n= -5, -4, -3, -2, -1, 0, 1, 2
Accuracy	Rate: 0.05% ± 2 counts
Reset	Front (user selectable), Remote
Memory Retention	Yes
Sensor Supply	Inbuilt, 12 VDC, 30 mA (short circuit protected)
LED Indications	Relay 1, Relay 2
Output	2, 2 Relays each 1 C/O
Relay Rating	5 A @ 230 VAC/ 24 VDC
Supply voltage	85 to 270 VAC/DC
Temperature	Operating: 0 to 50°C Storage: -5 to 50°C
Humidity (non-condensing)	95% RH
Weight	295 gms