

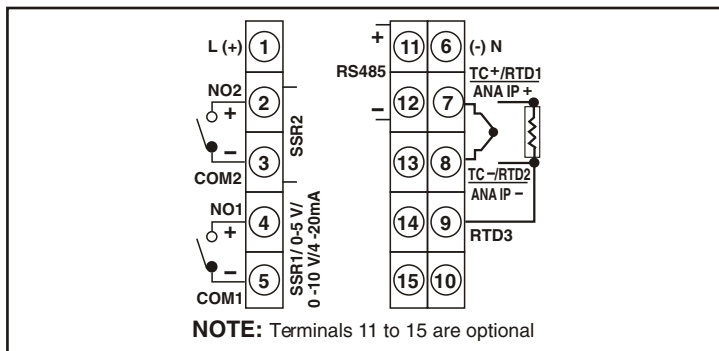


(48 x 48)

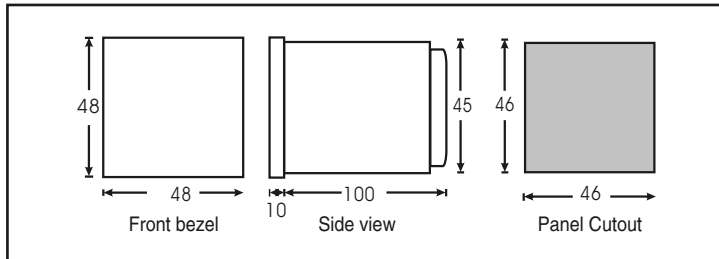
Ordering Information

Please see page 2 for detailed ordering information or [click here](#).

Terminal Connections



Dimensions (in mm)



Technical Specifications

DISPLAY	Upper: 7 segment red LED Lower: 7 segment green LED
Digits	Upper: 4 digits (process value) Lower: 4 digits (selectable)
LED Indications	Relay ON, Alarm, Manual mode, Tune
INPUT SPECIFICATIONS	
Types	Thermocouple: J, K, T, R, S, C, E, B, N, L, U, W, Platine II RTD: PT100 Signal Inputs: -5 to 56 mV, 0 to 10V, 0 to 20 mA
Sampling time	200 ms
Resolution	1 / 0.1°C for TC/RTD 1/0.1/0.01/0.001 for analog input
Temperature Unit	°C / °F selectable
INDICATION ACCURACY	
TC / RTD Input	±0.25% of span ±1°C (20 min of warmup time). Cold junction accuracy ± 5°C
Signal Input	±0.5%, ± 1 digit
CONTROL OUTPUT	
Relay	5 A@230 VAC or 30 VDC
SSR	18 VDC, 20 mA
Current output	0/4 to 20 mA (max. load :500E)
Voltage output	0 to 5/10V (min. load :10K)
ALARM OUTPUT	
	Max. 1
Relay	5 A@230 VAC or 30 VDC
SSR	12 VDC (20 mA)
RETRANSMISSION OUTPUT	
Current Output	0/4 to 20 mA (max. load :500E)
Voltage Output	0 to 5/10 V (min. load :10K)
Update Rate	100 ms
FUNCTIONAL SPECIFICATIONS	
Control Method	PID or ON/OFF
Hysteresis	0.1 to 99.9°
Proportional Band	0.0 to 400°
Integral Time	0 to 3600 sec
Derivative Time	0 to 200 sec
Cyclic Time	0.1 to 100 sec
Manual Reset Value	-99.9 to 99.9°
HEAT COOL PID	
Control Method	PID

Technical Specifications

HEAT COOL PID (contd)

Cycle Time	0.1 to 100 sec
Proportional Gain	0.0 to 400.0°
Deadband	Programmable

ALARM

Modes Deviation high/low, absolute high/low, band, sensor break

Hysteresis 0.1 to 99.9°

RAMP SOAK

Ramp Rate 1 to 9999°/hr

Soak Time 0 to 1440 min

SERIAL COMMUNICATION

Interface standard RS485

Communication address 1 to 99, maximum of 32 units per line

Transmission mode Half duplex

Transmission protocol MODBUS RTU

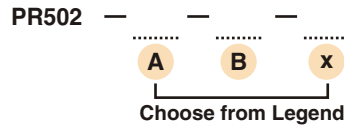
Transmission distance 500 m maximum

Transmission speed 9600, 4800, 2400, 1200, 600, 300 bits/sec

FUNCTIONAL SPECIFICATIONS FOR PROFILE CONTROL

No. of profiles	10
No. of steps	16 each
Ramp rate / soak time	0.01 to 99.59 hrs : min
Target temperature range	SPLL to SPHL
Supply voltage	85 to 270 VAC/DC (AC: 50 or 60 Hz) Optional - 24 VAC/DC
Temperature	Operating: 0 to 50°C Storage: -20 to 75°C
Humidity (non-condensing)	95% RH
Weight	170 gms
Certification	

Ordering Information



A	
Output 1	
0	Relay
1	18 VDC SSR Drive
2	4-20 mA (Current)
3	0-10 V (Voltage)

B	
Output 2	
0	Relay
1	12 VDC SSR Drive

X	
Serial Communication	
0	No
1	Yes

Note: For 24 VAC/DC model and suffix '-24'