

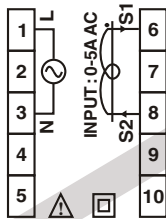


48x48mm

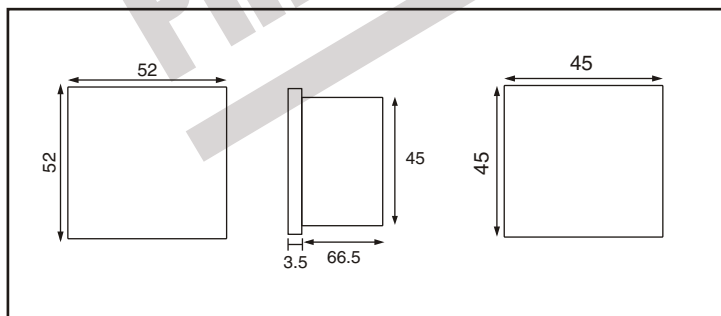
### Ordering Information

MA501

### Terminal Connections



### Dimensions (in mm)



### FEATURES

- 4 Digit, Liquid Crystal Display
- Analog style bargraph indication
- True RMS measurement
- CT programable up to 5000A
- 1 phase 2 wire electrical connection
- IP protection (Front Plate): IP65

### Technical Specifications

#### PARAMETER

Electrical Connection	1 phase 2 wire
CT Primary Setting	5, 10, 20, 30, 40,50, 60, 75, 80,100,150, 175, 200, 250, 300, 400, 500,600, 630, 800, 1000, 1200, 1500,1600, 2000, 2250,2500, 3000, 3200, 4000, 5000. <b>(Default setting : 5A AC)</b>

CT Secondary	5A
Input Range	0 - 5A AC
Measurement Range	0 - 6.2A AC
Accuracy	± 0.5% of CT primary setting.

#### DISPLAY

Display	4 digit
Overrange Indication	"Or" for input > 6.2A AC
Display range	0 - 6200A
Bargraph	Analog style Bargraph indication

#### GENERAL SPECIFICATION

Auxiliary supply voltage (Vn)	240V AC ± 20%
Supply Frequency	50/60 Hz
Operating temperature	-20 to 60 C
Storage temperature	-30 to 80 C
Humidity (non-condensing)	90% RH
Protection Level	IP65 for faceplate